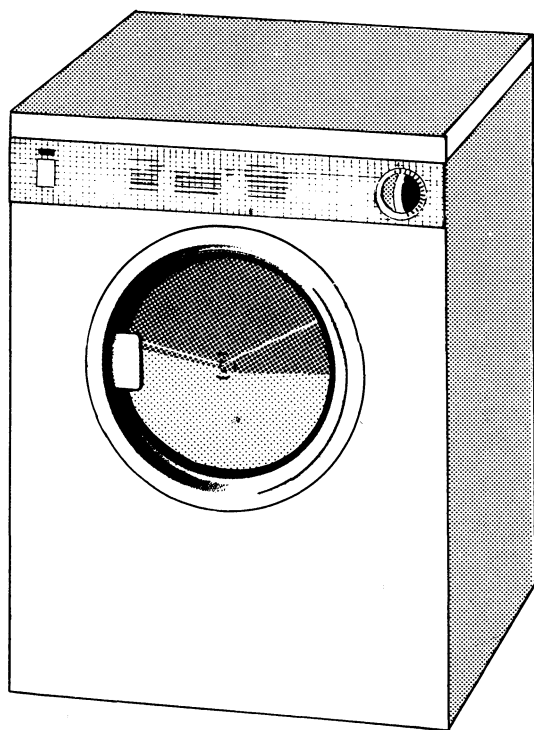


# INSTRUCTIONS FOR **E14** THE USE AND CARE OF ZANUSSI COMPACT TUMBLE DRYER



**E14**

Model No's TD30, TD50

**ZANUSSI**  
The appliance of science

**It is most important that this instruction book should be retained with the appliance for future reference. Should the appliance be sold or transferred to another owner, or should you move house and leave the appliance, always ensure that the book is supplied with the appliance in order that the new owner can be acquainted with the functioning of the appliance and the relevant warnings.**

## **Tumble Dryers Warnings**

**THESE WARNINGS ARE PROVIDED IN THE INTEREST OF SAFETY. YOU MUST READ THEM CAREFULLY BEFORE INSTALLING OR USING THE APPLIANCE.**

- Always switch off and unplug appliance after use.
- Any electrical work required to install this appliance should be carried out by a qualified electrician.
- This machine is designed to be operated by adults. Children should not be allowed to tamper with the controls or play with the product.
- This product should be serviced by an Authorised Zanussi Network Service Centre, and only genuine Zanussi spare parts should be used.
- It is dangerous to alter the specifications or modify this product in any way.
- Care must be taken that to ensure that the appliance does not stand on the electrical supply cable.
- Do not overload the appliance.
- Never tumble dry items that have had contact with chemicals such as dry cleaning fluid. These are of a volatile nature and could cause an explosion.
- The glass door becomes very hot during the drying cycle. Keep children away from the vicinity of the appliance when it is in operation.
- Leave the porthole door slightly ajar when not in use to preserve the door seal.
- Fluff filters must be cleaned after every use.
- Do not operate the appliance with a damaged filter or with no filter at all, as this may cause a fire.
  - If the steam is to be extracted through a ventilation system, you must ensure that the ducting for the appliance is not connected to any existing ventilation or ductwork system which is being used for any other purpose.
- This appliance must be installed in a clean, dry environment. Cabinet damage, which is not covered by guarantee, could ensue if this recommendation is not adhered to.
- Pets or children have been known to climb into tumble dryers. Check your drum before use.
- Under no circumstances should you attempt to repair the machine yourself. Repairs carried out by inexperienced persons may cause injury or more serious malfunctioning. Refer to your local Zanussi Service Centre. Always insist on genuine Zanussi spare parts.

---

# Contents

---

Page	2	Specifications
	4	Installation
	6	Getting to know your machine
	7	The drying programmes
	8	Using your machine
	9	Looking after your machine
	9	Hints for successful drying
	10	Servicing
	11	Zanussi guarantee conditions
	12	5 year cover

Please note that the specifications of your appliance may differ slightly from those shown in this leaflet.

---

# Specifications

---

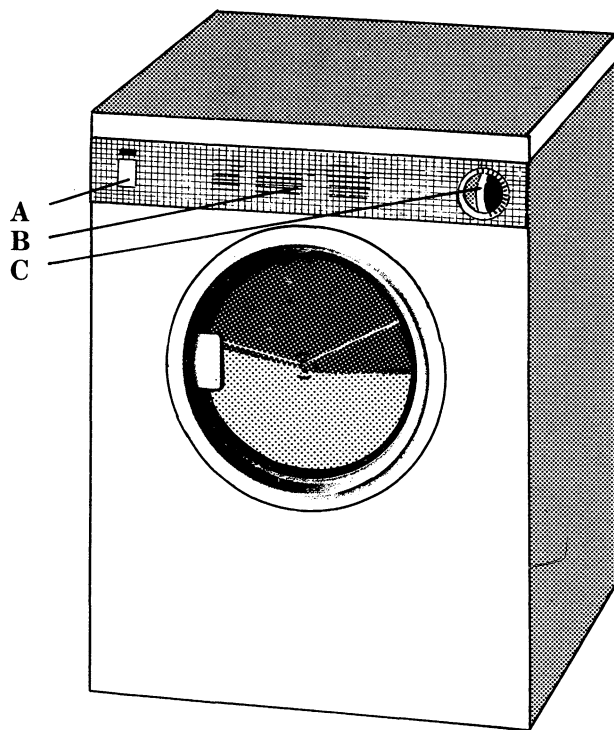
<b>Dimensions:</b>	<b>TD30, TD50</b>
<b>Height</b>	67.0 cm (26.4ins)
<b>Width</b>	49.5 cm (19.5ins)
<b>Depth</b>	49.5 cm (19.5ins)
<b>Weight</b>	25kg (55lb)
<b>Capacity</b>	Cotton 3.2kg (7lb)
	Synthetics 1kg (2.2lb)

---

<b>Total Power Absorbed</b>	1635W
<b>Voltage</b>	220/240V
<b>Frequency</b>	50Hz
<b>Energy Consumption</b>	2.0kwh

---

# Features



A High/low temperature switch

B Programme chart

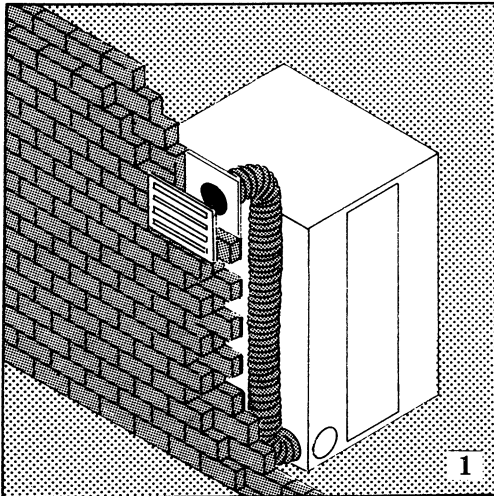
C Time selector dial

# Installation

## Positioning

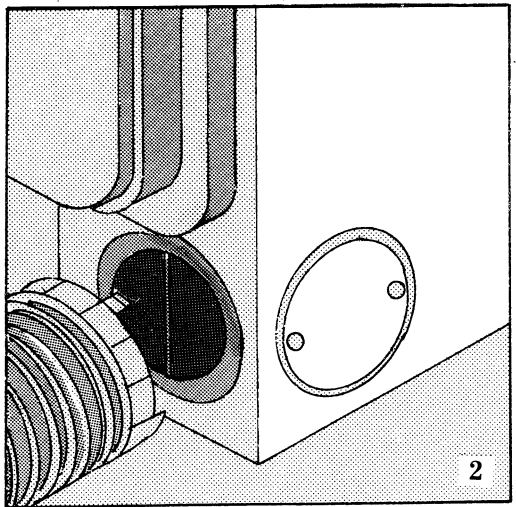
It is recommended that, for your convenience, the tumble dryer is positioned close to your washing machine. A wall bracket is available to enable you, if required, to attach the dryer to a wall. This can be obtained from the Zanussi Service Network.

Whilst drying, the tumble dryer will expel a certain amount of warm, very moist air, and this should be removed from the room as quickly as possible to prevent condensation. In an extremely well ventilated room or close to an open window, this may occur naturally. However, in general, it is better to carry the dryer's exhaust outside via a length of 100mm diameter flexible trunking (available as an optional extra from your Zanussi agent); ending either temporarily at an open window, or permanently at a fixed ventilation grille, fitted to an exterior wall or window (Fig. 1).



## Fitting the Trunking

To simplify the installation, there is a choice of vent outlets: one at the back; the other in the left hand side (Fig. 2). Connect the trunking to whichever is the more convenient by pulling the ring nut from the vent, screwing it on to the trunking, and pushing it firmly back into place.



The unused vent should now be sealed with the special cover provided. If you find that, when delivered, the dryer has the cover and ring nut fitted to the wrong vents, merely switch them round before connecting the trunking – the cover is fixed with two screws.

Once connected to the dryer, run the trunking to the desired outlet point, ensuring that the run's overall length is less than 2m, and that it contains no more than two bends. As to the outlet itself, if you have decided on a fixed wall/window grille, a venting kit is available from your local Zanussi Service Network.

---

It is important **not** to connect the trunking to, for example, a cooker hood, or a chimney or flue pipe designed to carry the exhaust from a fuel burning appliance.

Note that to avoid condensation problems, it is essential that the dryer be fitted with flexible trunking to carry its 'exhaust' at least beyond the kitchen units; preferably outside the kitchen.

### **Levelling**

To keep vibration and noise to a minimum when the dryer is in use, it should be placed on a firm, level surface. Once in its permanent operating position, check that the dryer is absolutely level with the aid of a spirit level.

### **The Electrical Connections**

**WARNING: THIS APPLIANCE MUST BE EARTHED**

**The manufacturer declines any liability should this safety measure not be observed.**

If the plug that is fitted to your appliance is not suitable for your socket outlet, it must be cut off and the appropriate plug fitted.

The cut off plug should be disposed of to prevent the hazard of electric shocks in case it should be plugged into a 13 amp socket in another part of your home.

### **IMPORTANT**

The wires in this mains lead are coloured in accordance with the following code:

GREEN AND YELLOW – EARTH  
BLUE – NEUTRAL  
BROWN – LIVE

If you fit your own plug, the colours of the wires in the mains lead of your appliance

may not correspond with the markings identifying the terminals in your plug, this is what you have to do: connect the green and yellow (earth) wire to the terminal in the plug which is marked with the letter <E> or the earth  $\equiv$  symbol or coloured green or green and yellow.

Connect the brown (live) wire to the terminal in the plug which is marked with a letter <L> or coloured red.

The plug moulded on to the cord incorporates a fuse. For replacement, use a 13 amp BS1362 fuse. Only ASTA approved fuses should be used. The fuse cover/carrier must be replaced in the event of changing the fuse.

The right fuse cover/carrier colour is the one shown by the coloured insert at the base of the plug.

The plug must not be used if the fuse cover/carrier is lost. A replacement cover/carrier must be obtained from the Zanussi Service Network whose addresses are listed on the attached <Zanussi Service Agents Nationwide>.

This appliance complies with the EEC directive number 82/499 of 7.6.82 relative to radio interference suppression.

In addition, avoid connecting the dryer to the same socket as your washing machine (or any other appliance) by means of an adaptor. Have an extra socket installed if necessary by a qualified electrician.

---

# Getting To Know Your Machine

## **The Controls and How to Use Them**

- A Temperature switch
- B Programme chart
- C Time selector dial

### **A Temperature Switch**

Push the switch in for a high temperature; leave it out for a low temperature.

Use the high temperature for drying cottons and linens and the low temperature for drying synthetics and delicates.

### **B Programme Chart**

This will help you to select the correct programme or time for drying. (See chart page 7).

### **C Time Selector Dial**

The selector dial is marked with times in minutes. To set the machine to the selected time, turn the dial clockwise until the time you want coincides exactly with the pointer. Never attempt to turn the dial in an anti-clockwise direction.

## **TIME CONTROLLED PROGRAMMES**

For these programmes you select the drying time according to your experience. The programme guide is designed to help you.

The compact dryer has a drying time of up to 120 minutes. This can be extended when the original programme is completed, by re-setting the control knob for a further period of drying. The door of the machine can be opened at any time during the programme if you want to feel the dryness of the fabrics. It is a mistake to allow the fabric to become too dry as this gives it a rough feel. It is better to select too short a

time and then set the dial for a further period if necessary.

Remember that during the last 12 minutes of the operation, the heat is cut off in order to carry out a fabric cooling phase, which prevents any creasing or crumpling of the fabrics – if you do set the dial for extra drying time, 15 minutes would be the minimum.



# Drying Programmes – TD30, TD50

Laundry Type	Quantity	Spin Speed r.p.m.	Degree of Drying	Control Knob Setting
Cotton/ linen	7lb	500	Iron dry	80–90
		800–1000		75–85
		2800		50–60
	3.5lb	500	Iron dry	50–60
		800–1000		40–50
		2800		30–40
	7lb	500	Store dry	95–105
		800–1000		80–90
		2800		55–65
	3.5lb	500	Store dry	55–65
		800–1000		45–55
		2800		35–45
Synthetics	2lb	500	Store dry	20–25
		800–1000		20–25
		2800		15–20
	1lb	500	Store dry	15–20
		800–1000		15–20
		2800		10–15

If the laundry is spun dried in a washing machine at less than 500rpm the residual dampness will be higher and consequently the drying time should be increased. This applies particularly to laundry consisting primarily of towels.

If the laundry is spun dried at more than 1000rpm, the residual dampness will be lower and consequently the drying time should be decreased.

---

# Using Your Machine

## Sorting the Load

The maximum load you can dry in your tumble dryer is 3.2kg (7lb) of cotton, linen and other strong fabrics, 1kg (2.2lb) of synthetics and 1.7kg (3lb) of absorbant fabrics such as towelling.

If you are using a washing machine, all you have to do is transfer the clothes, after the spin cycle from the washing machine to the tumble dryer. Otherwise sort the laundry according to fabric. It is essential for satisfactory and economic drying, that the washing is spin-dried before putting it into the machine. If it is sopping wet, it will take a very long time to dry and a lot of steam will be discharged.

It is advisable to redistribute a load of large items such as sheets, duvet covers and towels etc. a couple of times during the programme to ensure an evenly dried result.

## Loading the Laundry

Open the drum loading door by pulling the catch forwards.

Load the wet spun-dried clothes, alternating large items such as sheets and tablecloths with smaller items like shirts, hand towels etc. Make sure that all pockets are empty, zips closed and belts etc. tied. Close the door firmly until it clicks.

## Note

**The following fabrics should not be loaded into the dryer**

Clothes which have been dry cleaned with chemical solvents.

Woollens or woollen mixtures loosely knitted and likely to shrink with heat.

Delicate fabrics like pure silk, and synthetic curtains or fibreglass items and sponge rubber items.

## To start the machine

Check that:

the main switch is on  
the door is properly closed  
the plastic venting hose, if you have one, is in position

Select the drying time by turning the selector dial clockwise to the required time (see chart page 7 ).

Press the 'on' switch.

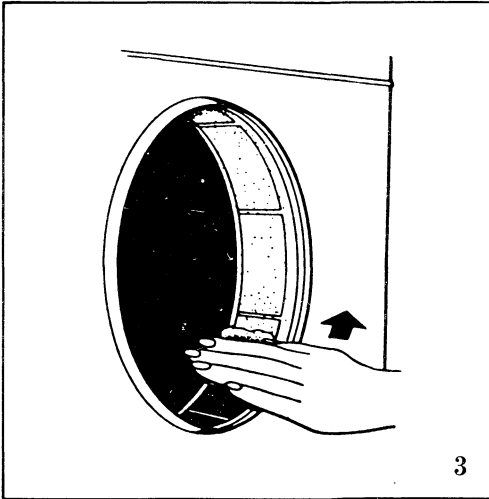
The machine will automatically complete the chosen time, then it will stop.

# Looking After Your Machine

**IMPORTANT** Make sure that the machine is unplugged before undertaking any kind of maintenance.

## Cleaning the fluff filter

This needs cleaning after each drying cycle. It is incorporated around the rim of the porthole door (fig. 3) and traps the fluff which collects during a drying cycle.



Do not be alarmed by the amount of fluff. It is not due to excessive wear caused by the dryer. All fabric loses fluff when drying but it goes unnoticed in the air. In a tumble dryer it simply collects in the filter.

## General care and cleaning

Dust and fluff will tend to deposit in the door openings and filter seat, this should be removed from time to time with the crevice nozzle of a vacuum cleaner.

From time to time, clean the plated, polished and plastic parts and the glass

porthole with a soft damp cloth. Never use abrasive powders. Wipe over the exterior of the cabinet with lukewarm water and a mild, liquid cleaner, rinse and dry thoroughly. From time to time, apply a little wax furniture cream with a soft cloth.

## Hints for successful drying

Use fabric conditioner when washing towels or woollens and they will dry with a softer finish. Remove clothes from the machine as soon as drying is complete. This will prevent them from creasing.

Never select over-long drying times or fabrics may come out feeling rough, or worse; shrunk.

Take light articles out when they are still slightly damp and hang them on a clothes line for a short time.

Items which need ironing should be dried to 'ironing dry'. If you cannot iron them immediately fold and roll them up to preserve a uniform dryness.

If you are hand washing nappies, rinse them thoroughly in clear water, spin them as dry as possible and then put them in the dryer to dry off.

Always remember to empty pockets before washing clothes and then tumble drying them. (This is important as loose coins lodged between the tub and the drum can cause excessive damage). Avoid drying dark clothes with light coloured fluffy items such as towels as they could attract the fluff.

---

# Servicing

If, having followed these instructions carefully, your machine fails to work properly, contact your local Zanussi Service Network. Before you do that though, it is worth making a few simple checks yourself.

## **If the machine won't start...**

- Make sure that the door of the machine is firmly shut.
- Make sure that you have set the selector dial properly,
- Make sure that the appliance is properly plugged in and that the socket switch (if any) is in the 'on' position.
- Check that there is power at the socket by plugging in an appliance you know to be working – a small lamp, for example. If this too fails to work, check the main circuit fuses in your home's consumer unit or the main fuse box.

## **If the laundry will not dry despite the machine having been set at max...**

- Check that the drum is not overloaded.
- Was the laundry adequately spun dried before you put it in the drum?
- Check that the fluff filter is not clogged.
- Make sure that the room where the dryer is installed is adequately ventilated.

**FAILURE TO OBSERVE THESE CHECKS COULD RESULT IN YOUR BEING CHARGED FOR THE SERVICE CALL WHEN REQUESTED.**

---

# Peace of mind for twelve months

## ZANUSSI STANDARD GUARANTEE CONDITIONS

This guarantee is in addition to your statutory and other legal rights which will not be excluded or in any way diminished by the return of this guarantee card.

We, IAZ International (UK) Ltd, undertake that if, within twelve months (24 months for TV sets) of the date of the purchase, this ZANUSSI appliance or any part thereof is proved to be defective by reason only of faulty workmanship or materials, we will, at our option, repair or replace the same **FREE OF ANY CHARGE** for labour, materials or carriage on condition that:

–The appliance has been correctly installed and used only on the electricity supply stated on the rating plate.

–The appliance has been used for normal domestic purposes only, and in accordance with the manufacturer's operating and maintenance instructions.

–The appliance has not been serviced, maintained, repaired, taken apart or tampered with by any person not authorised by us.

–The appliance is still in the possession of the original purchaser.

All service work under this guarantee must be undertaken by a Zanussi Network Service Centre (or the Zanussi Authorised TV Service Dealer).

Any appliance or defective part replaced shall become our property.

### Exclusions

This guarantee does not cover:

–Damage or calls resulting from transportation, improper use or neglect, the replacement of any light bulbs or removable parts of glass or plastic.

–Cost incurred for calls to put right machines improperly installed or calls to machines outside the UK and the Republic of Ireland.

–Appliances found to be in use within a commercial environment, plus those which are the subject of rental agreements.

–Television receivers – routine adjustment, or poor reception resulting from a source outside of the receiver.

---

# or five years

## ZANUSSI 5 YEAR COVER CONDITIONS

For a once-only payment you can extend your Standard Guarantee to 5 years. All the conditions and exclusions of the Standard Guarantee apply.

### Notes

1. Products supplied as 'seconds', refurbished, damaged or shop-soiled are not eligible for Zanussi 5 Year Cover.
2. The issue of a cover does NOT by virtue of our having done so, nullify the exclusions.

3. The Engineer will need to check the details of your Cover card and may make a charge for his services if it is not presented to him at the time of his call.

4. The date of purchase, or the date of initial payment (deposit) of the appliance will be deemed the date of commencement of cover.

5. Covers issued are not refundable or transferable.

## GUARANTEE RECORD

Appliance purchased from

on

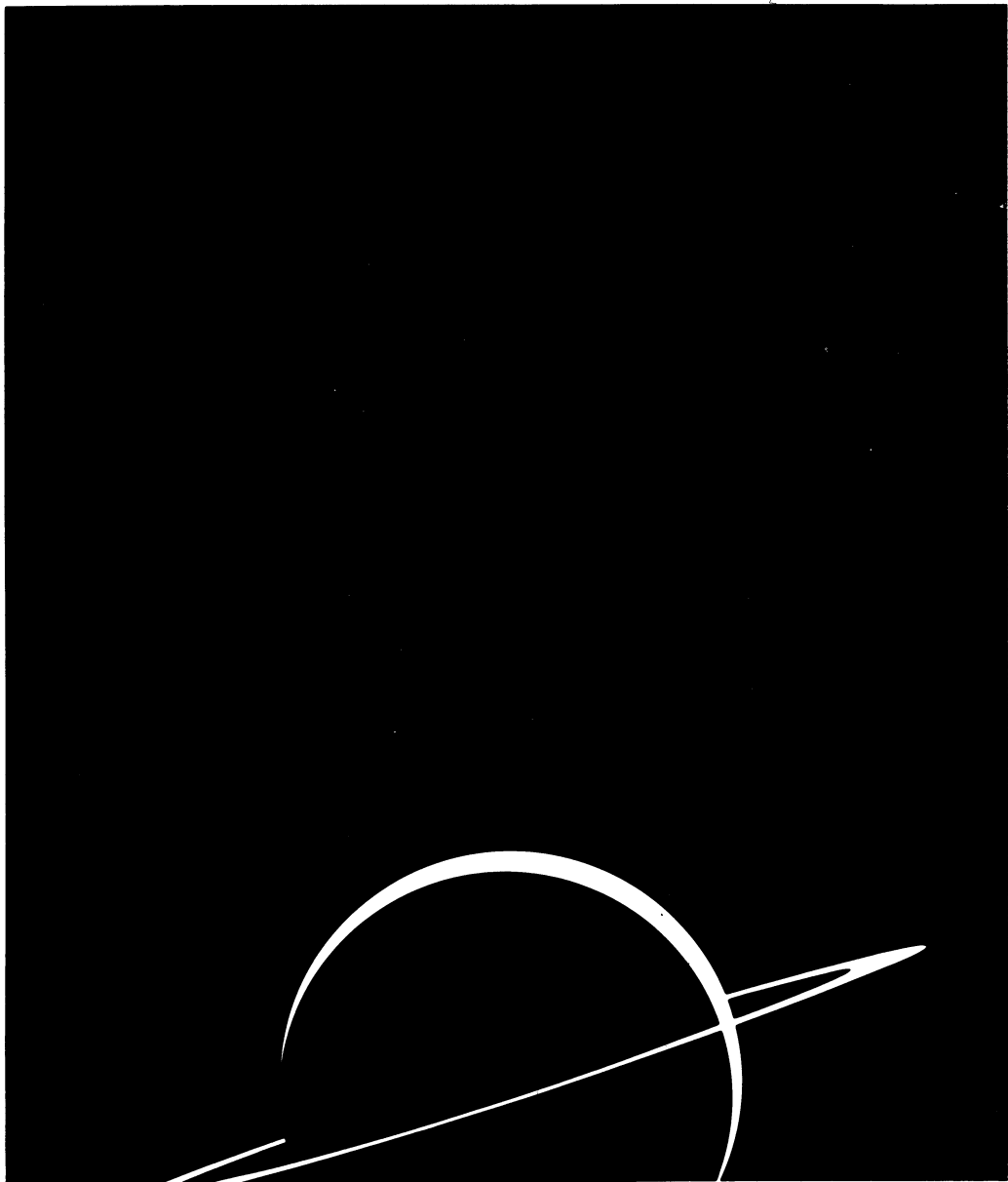
Guarantee card no.

Model no.

Serial no.

(These details may be taken from your Guarantee Record Card)





# ZANUSSI

The appliance of science

Zanussi Ltd, Zanussi House, Newbury

The information in this manual is correct at time of going to press.  
Zanussi reserve the right to alter specifications without notice.